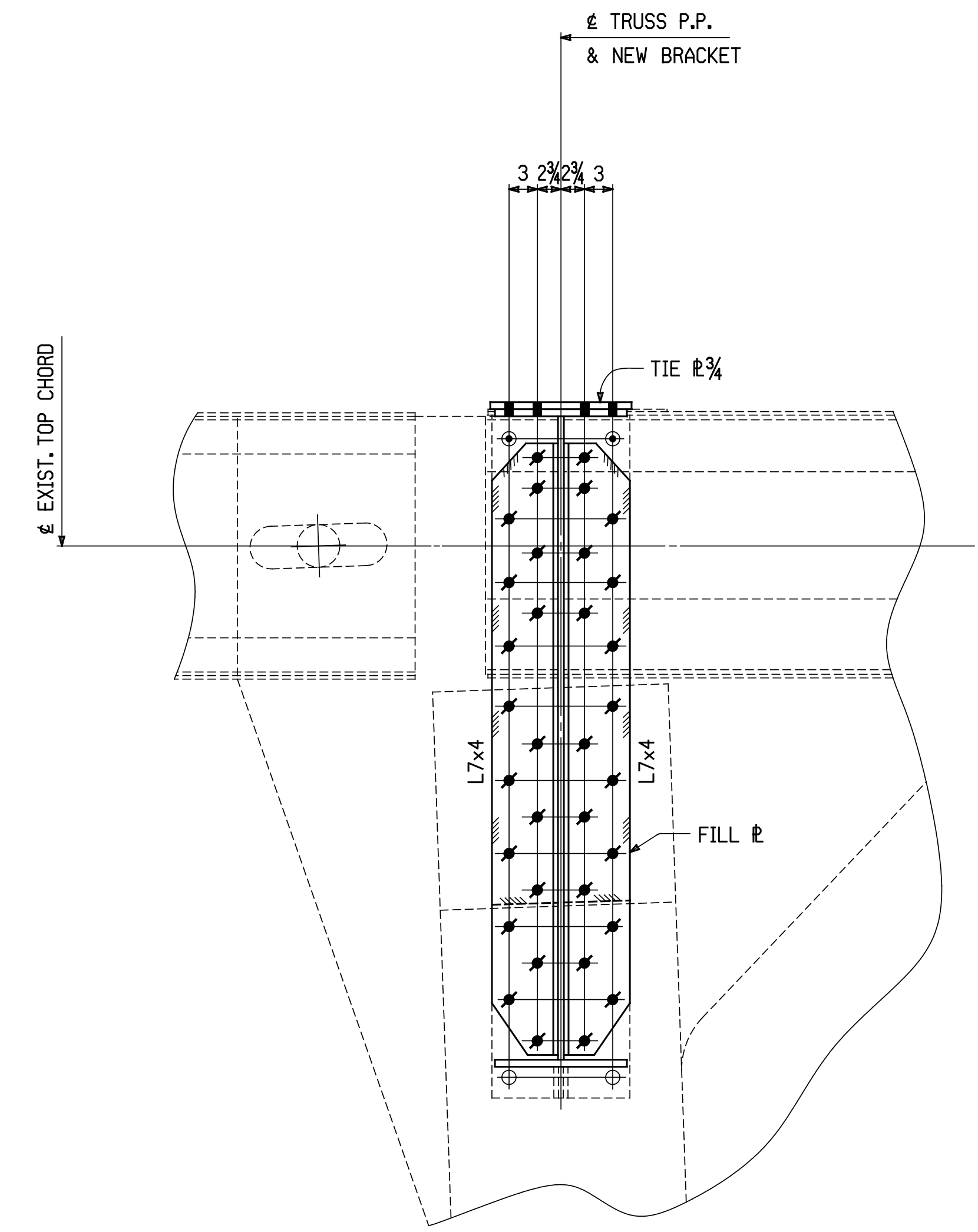
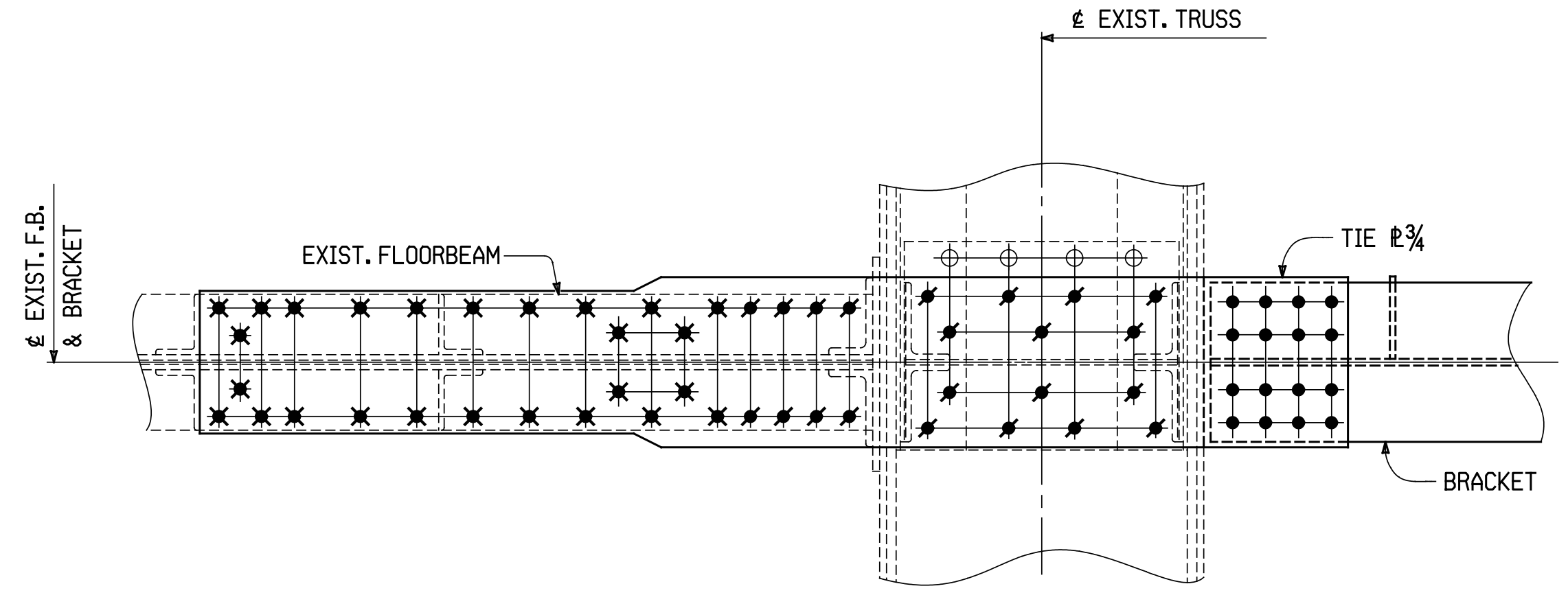


SECTION E105-1

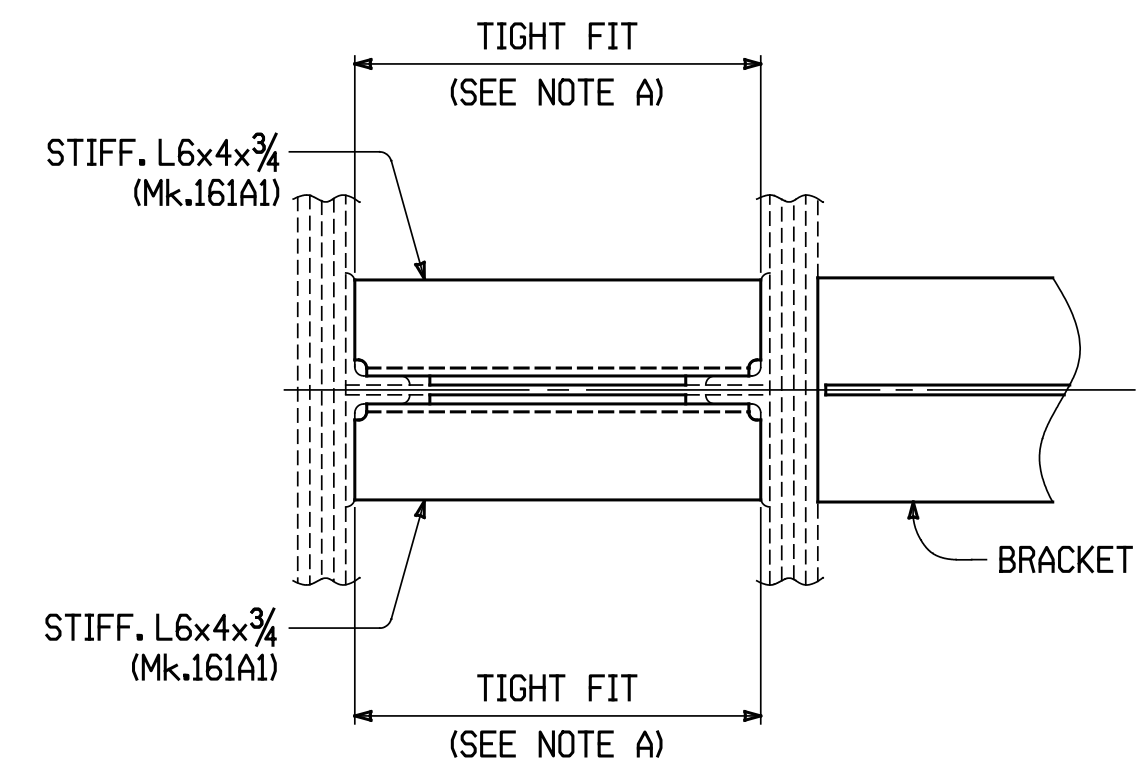


SECTION A

9056-0010 (LB)



SECTION B



SECTION C

NOTE A

STIFF L FABRICATED 1/8" LONG EACH END. ERECTOR TO GRIND ENDS OF ANGLES AS NECESSARY TO ACHIEVE TIGHT FIT.

LEGEND

- ◆ FIELD BOLT NEW STEEL TO NEW STEEL.
- ★ FIELD BOLT NEW STEEL TO EXISTING STEEL USING EXISTING HOLES.
- ✱ INSTALL FIELD BOLT IN FIELD DRILLED HOLE (NEW OR EXISTING STEEL).
- ◇ SHOP BOLT - TORQUE IN FIELD
- ⊕ FILL EXIST. HOLE WITH FIELD BOLT

| NO. | DATE | BY | REVISION |
|---|----------|-----------------------|----------|
| | | | |
| UPSTATE DETAILING, INC. <small>Structural Miscellaneous Bridges</small> | | | |
| P.O. BOX 389 | | BURNT HILLS, NY 12027 | |
| PH: (518) 399-0205 | | FAX: (518) 399-0403 | |
| info@useudi.com | | | |
| DRAWING TITLE | | | |
| ERECTION SECTION (SPAN 5) | | | |
| PROJECT No.: | | FEDERAL AID No.: | |
| ENGINEER: | | | |
| CUSTOMER: | | | |
| PROJECT: | | | |
| HOLES: | PANT: | DATE: | |
| BOLTS: | DR. BY: | JOB NO.: | |
| WELDS: | CHK. BY: | DWG NO.: | |
| | | E105 | |